

Piusi ST Box Basic

FEATURES

- **STURDY STRUCTURE**
- **LOCKABLE AND SAFE**
- **READY TO USE**
- **FILTRATION GUARANTEED**
- **NOZZLE CONTACT (PRO VERSION ONLY)**

The PIUSI ST BOX is a diesel refueling station complete with pump, flow meter and filter, with lockable metal protection box. The unit is complete with antistatic hose for diesel fuel and automatic dispensing nozzle. The PRO version features the electronic access control box ACCESS 85.

PERFORMANCE

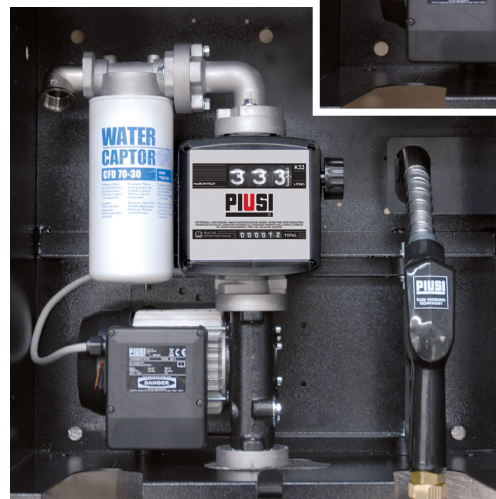
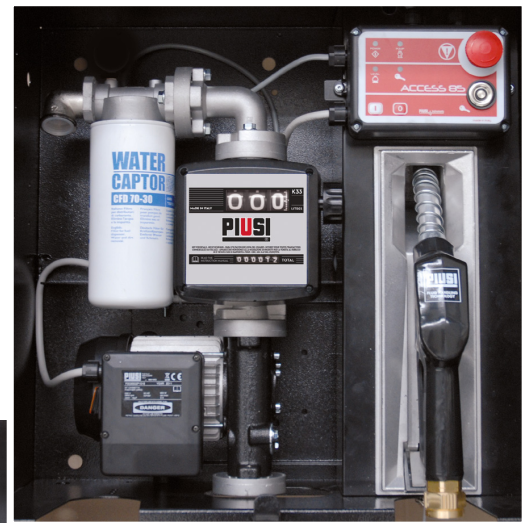
UP TO
90 L/MIN

FLOW RATE

AC
CONTINUOUS DUTY
POWER

± 1%

ACCURACY

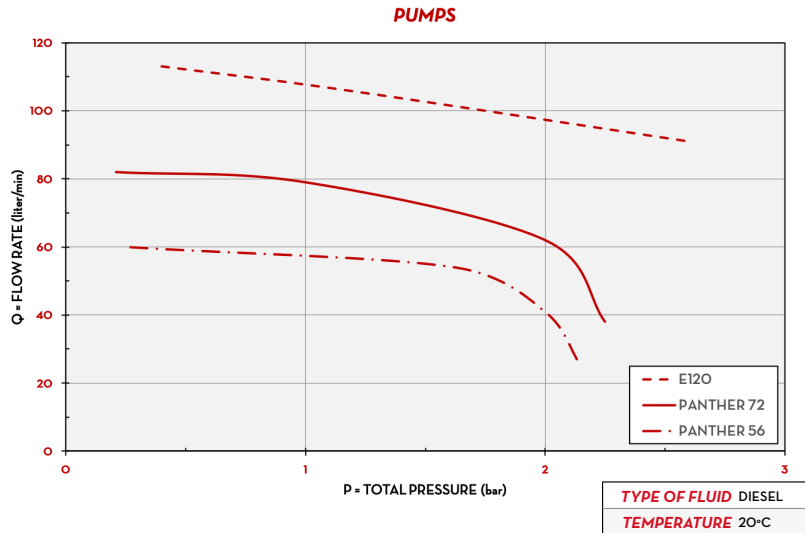


PACKAGING

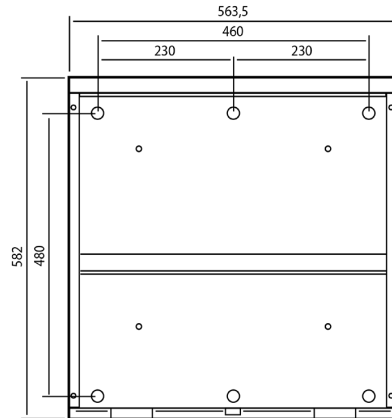
CODE	WEIGHT		PACKAGING		
	KG	LBS	MM	INCH	PCS/BOX
WITHOUT ACCESS 85					
00036700B	-	-	-	-	-
00036900B	-	-	-	-	-
FO0365020	-	-	-	-	-
FO0365060	-	-	-	-	-
FO0365050	36	72	575X320X607	22,6X12,6X23,9	1
FO0365P0A	40	88	575X320X607	22,6X12,6X23,9	1
FO039900A	50	110	590X340X720	23,2X13,4X28,3	1
WITH ACCESS 85					
FO0365010	40	88	575X320X607	22,6X12,6X23,9	1

Piusi ST Box Basic

CHART



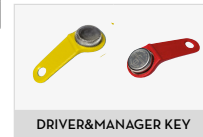
DIMENSIONS



IN THE BOX

- ST BOX UNIT
- METER
- FILTER
- DELIVERY HOSE
- NOZZLE
- INSTRUCTION MANUAL

DETAILS



COMPONENTS

- **PUMPS:**
 - PANTHER AC PAG. 102
 - E80/E120 PAG. 106
 - BIPUMP PAG. 116
- **NOZZLE:**
 - AUTOMATIC NOZZLE PAG. 158
- **METER:**
 - K33 PAG. 146
 - K24 PAG. 132
- **FILTER**
 - WATER CAPTOR PAG. 170
- **ACCESS CONTROL**
 - ACCESS85 PAG. 194

TECHNICAL DATA

CODE	DESCRIPTION	FLUIDS TYPE	FLOW RATE		VOLTAGE			PUMP TYPE	METER TYPE	NOZZLE TYPE	FILTER H2O FILTER	HOSE		INLET BSP
			L/MIN	GPM	AC V/ HZ	DC VOLT	POWER WATT					AMP. MAX.	LENGTH	
WITHOUT ACCESS 85														
00036700B	ST BOX E80/M K33 A80	D	80	21	230/50	500	3,5	E80	K33	A80	NO	4M	1"	1"
00036900B	ST BOX E120/M K33 A120	D	90	22	230/50	750	5,7	E120	K33	A120	NO	4M	1"	1"
FO0365020	ST BOX PANTHER 56 BASIC	D	56	15	230/50	350	3	PANTH. 56	K33	A60	YES	6M	1"	1"
FO0365060	ST BOX PANTHER 72 BASIC	D	70	19	230/50	500	4,2	PANTH. 72	K33	A80	YES	6M	1"	1"
FO0365050	ST BOX E 120 BASIC	D	90	22	230/50	750	5,7	E 120	K33	A120	YES	8M	1"	1"
FO0365POA	ST BOX P56/M K33 A60	D	56	15	230/50	350	3	PANTH. 56	K33	A60	NO	4M	3/4"	1"
FO039900A	ST BOX BIPUMP 12V K33 A120	D	80	21	12	530	44	BIPUMP	K33	A80	NO	4M	1"	1"
WITH ACCESS 85														
FO0365010	ST BOX PANTHER 72 PRO	D	70	19	230/50	500	4,2	PANTH. 72	K33	A60	YES	8M	1"	1"

PRO VERSION ONLY

ST BOX

AUSTRALIA
 +61 3 9775 1366
 FUELCO.COM.AU

AFRICA
 +27 (016) 421 8043
 FUELCO-SA.COM

MENA
 + 971 4 232 4985
 FUELCO.AE