



# E140 Fuel Pump

## FEATURES

- CONTINUOUS DUTY
- HIGH FLOW RATE
- HEAVY DUTY PUMP
- STURDY DESIGN

The E140 diesel transfer pump is versatile and suitable for different industries including automotive, agriculture, transportation, garages and construction. The E140 volumetric, self-priming vane pump for diesel transfer has a high seal and is reliable in conditions of use at low temperatures. With its solid and resistant body, the E140 is an easy to install diesel transfer pump, suitable for use in diesel dispensers and fixed fuel transfer systems, as well as other industrial applications. The compact cast iron structure makes the E140 electric pump the perfect system for performance and reliability.

### PERFORMANCE

UP TO  
**140 L/MIN**  
FLOW RATE


**AC**  
VOLTAGE  
POWER



E140



### PACKAGING

CODE	WEIGHT		PACKAGING			N. BOXES / EUROPALLET	
	KG	LBS	MM	INCH	PCS/BOX	✕	
FO0395060	18	40	350X250X300	14X10X12	1	60	72
FO0395050	18	40	350X250X300	14X10X12	1	60	72

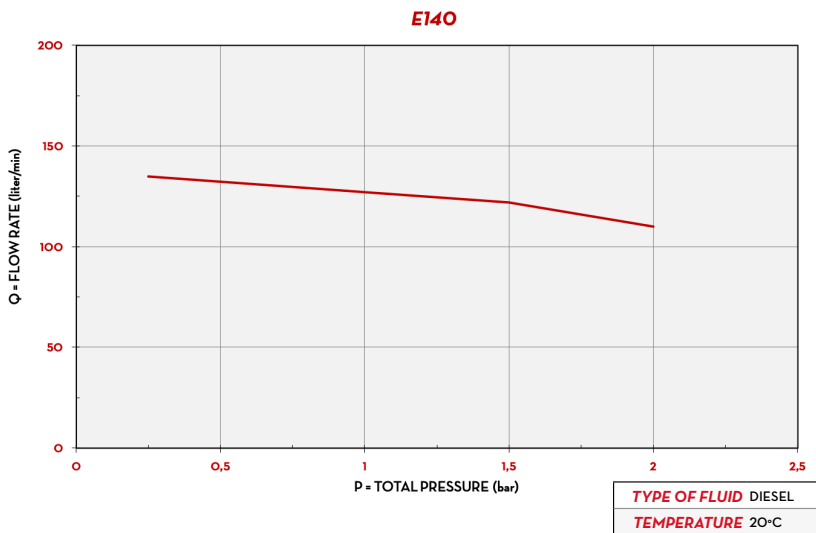
**AUSTRALIA**  
+61 3 9775 1366  
FUELCO.COM.AU

**AFRICA**  
+27 (016) 421 8043  
FUELCO-SA.COM

**MENA**  
+ 971 4 232 4985  
FUELCO.AE

# E140 Fuel Pump

## CHART



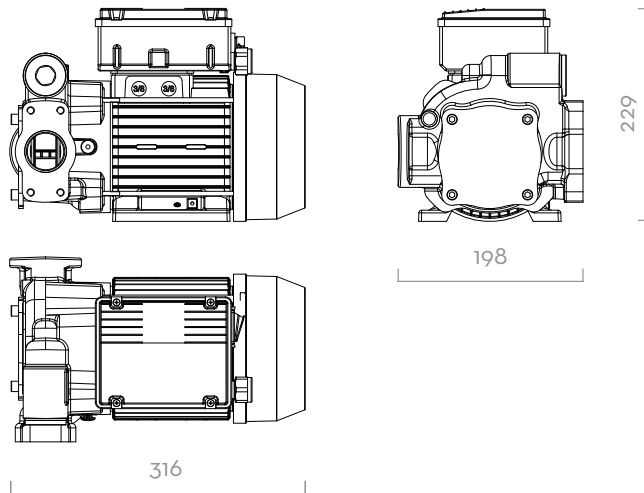
## IN THE BOX

- E140 PUMP
- INSTRUCTION MANUAL

## DETAILS



## DIMENSIONS



Dimensions expressed in millimeters

## MATERIALS

- BODY: CAST IRON
- ROTOR: SINTERED STEEL
- VANES: TECHNOPOLYMER
- SEAL: VITON
- SHAFT: STEEL

## TECHNICAL DATA

CODE	DESCRIPTION	FLUIDS TYPE	FLOW RATE		VOLTAGE			DUTY CYCLE	RPM	INLET	OUTLET
			L/MIN	GPM	AC VOLT/HZ	POWER WATT	AMP. MAX.				
FO0395060	E 140 250/50	D	140	37	250/50	1150	5	S1	1450	1" 1/4	1"
FO0395050	E 140 230/50	D	140	37	230/50	1150	5	S1	1450	1" 1/4	1"

**E140**