

# Piusi 120 Fuel Pump

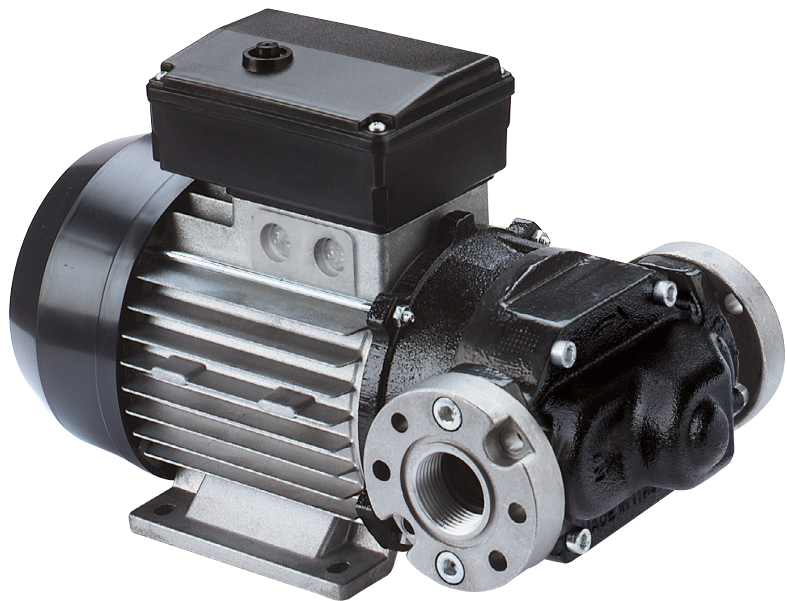
## FEATURES

- **VERSATILITY**
- **STURDY STRUCTURE**
- **LONG LASTING**
- **REASY TO USE**
- **THERMAL PROTECTION**

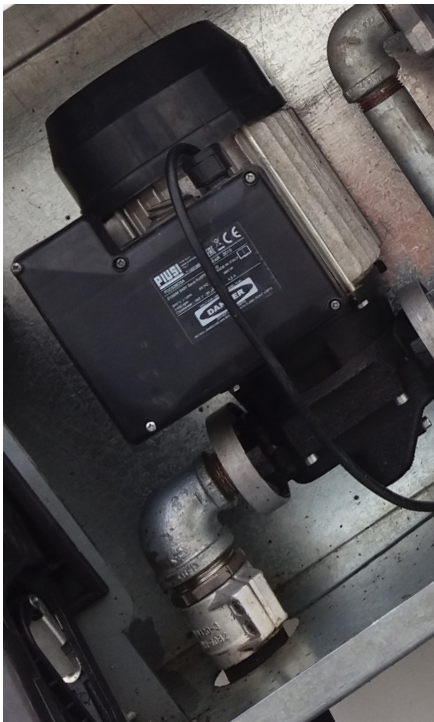
The PIUSI E80 and E120 are self-priming rotary electric vane pumps, compact and easy to install, suitable to meet all those use requirements needing a high-performance and long lasting product. The sturdy structure along with the thermal protection and the top-quality components allow its use at low working temperatures.

### PERFORMANCE

|  |   |
|--|---|
| <b>UP TO</b><br><b>100 L/MIN</b><br><small>FLOW RATE</small> | <b>AC</b><br><b>CONTINUOUS DUTY</b><br><small>POWER</small> |
|--|---|



E80/E120

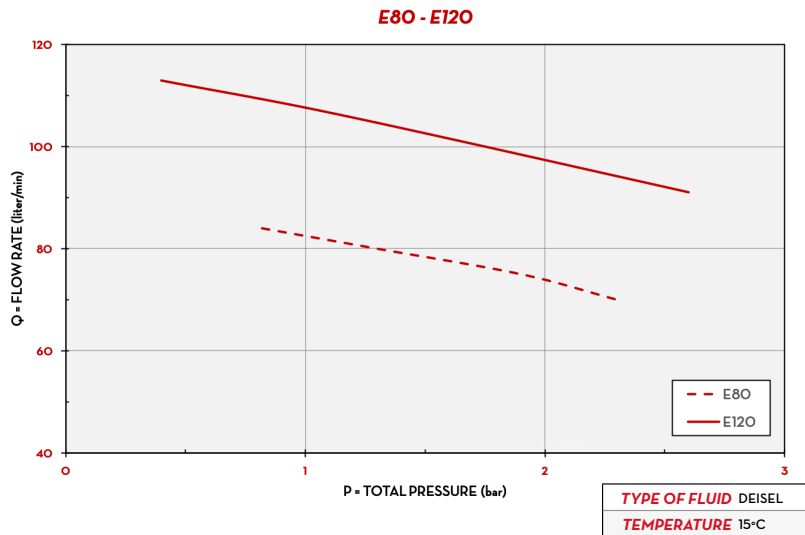


### PACKAGING

| CODE        | WEIGHT |      | PACKAGING   |      |         | N. BOXES / EUROPALLET |    |
|-------------|--------|------|-------------|------|---------|-----------------------|----|
|             | KG     | LBS  | MM          | INCH | PCS/BOX |                       |    |
| <b>E80</b>  |        |      |             |      |         |                       |    |
| 000305000   | 13     | 28,7 | 355X185X285 | -    | 1       | 60                    | 72 |
| 000307000   | 13     | 28,7 | 355X185X285 | -    | 1       | 60                    | 72 |
| <b>E120</b> |        |      |             |      |         |                       |    |
| 000326000   | 15,6   | 34,4 | 355X185X285 | -    | 1       | 60                    | 72 |
| 000312000   | 15,6   | 34,4 | 355X185X285 | -    | 1       | 60                    | 72 |

# Piusi 120 Fuel Pump

## CHART



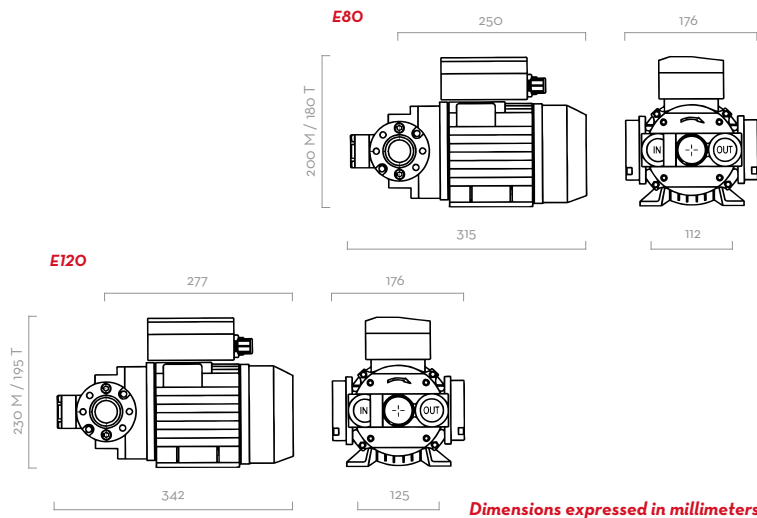
## IN THE BOX

- E80/E120 PUMP
- FLANGED CONNECTION
- INSTRUCTION MANUAL

## DETAILS



## DIMENSIONS



## MATERIALS

- BODY: CAST IRON
- ROTOR: SINTERED STEEL
- VANES: ACETAL RESIN
- SEAL: VITON
- SHAFT: STEEL



- > MAX 6M (20FT),
- > SUCTION HOSE Ø 1" MIN,
- > MAX SUCTION HEIGHT:
- 2M (7FT) W/O NON RETURN VALVE
- 4M (14FT) W NON RETURN VALVE



## TECHNICAL DATA

| CODE         | DESCRIPTION | FLUIDS TYPE | FLOW RATE |     | VOLTAGE                 |                        |            |           | RPM  | INLET OUTLET<br>BSP | FLANGE CONNECTION | BYPASS VALVE | INLET FILTER |
|--------------|-------------|-------------|-----------|-----|-------------------------|------------------------|------------|-----------|------|---------------------|-------------------|--------------|--------------|
|              |             |             | L/MIN     | GPM | SINGLEPHASE MOTOR V./HZ | THREEPHASE MOTOR V./HZ | POWER WATT | AMP. MAX. |      |                     |                   |              |              |
| <b>E 80</b>  |             |             |           |     |                         |                        |            |           |      |                     |                   |              |              |
| 000305000    | E 80 M      | D           | 70        | 18  | 230/50                  | -                      | 500        | 3,5       | 1400 | 1"                  | YES               | YES          | NO           |
| 000307000    | E 80 T      | D           | 70        | 18  | -                       | 400/50                 | 550        | 1,6       | 1450 | 1"                  | YES               | YES          | NO           |
| <b>E 120</b> |             |             |           |     |                         |                        |            |           |      |                     |                   |              |              |
| 000326000    | E 120 M     | D           | 100       | 26  | 230/50                  | -                      | 750        | 5,7       | 1450 | 1"                  | YES               | YES          | NO           |
| 000312000    | E 120 T     | D           | 100       | 26  | -                       | 400/50                 | 750        | 2,2       | 1450 | 1"                  | YES               | YES          | NO           |

**E80 / E120**