

PIUSI Cube MC

FEATURES

- MULTI-USER MANAGEMENT
- ALL-IN-ONE EQUIPMENT
- COMPACT DESIGN
- COMPATIBLE WITH SSM 2018 SOFTWARE
- SUCTION FILTER
- IP55

The PIUSI CUBE MC is the upgraded version of the world famous CUBE dispenser equipped with an electronic panel able to manage up to 120 users and 255 transactions. The sturdy structure includes a self-priming vane pump, built-in bypass, automatic nozzle, and integrated nozzle holder with start/stop pump lever.

PERFORMANCE

UP TO 70 L/MIN	AC/DC VOLTAGE
FLOW RATE	POWER
± 0,5%	UP TO 120
ACCURACY	USERS



CUBE 70 MC



CUBE 70 MC WITH PEDESTAL (OPTIONAL)

PACKAGING

CODE	WEIGHT		PACKAGING			N. BOXES / EUROPALLET	
	KG	LBS	MM	INCH	PCS/BOX	✈	🚚
FO059400D	25	55	400X400X460	-	1	12	24
FO059413C	25	55	400X400X460	-	1	12	24
FO059414C	25	55	400X400X460	-	1	12	24
FO059415C	25	55	400X400X460	-	1	12	24
FO059422A	25	55	400X400X460	-	1	12	24

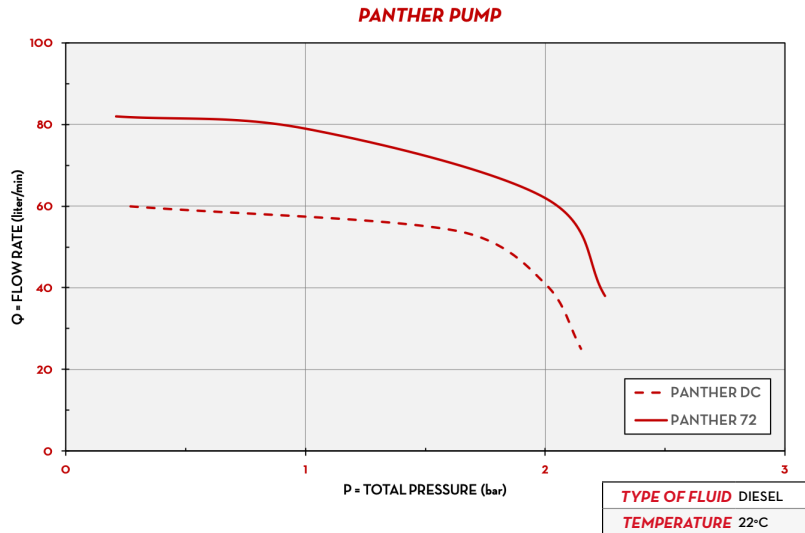
AUSTRALIA
+61 3 9775 1366
FUELCO.COM.AU

AFRICA
+27 (016) 421 8043
FUELCO-SA.COM

MENA
+ 971 4 232 4985
FUELCO.AE

PIUSI Cube MC

CHART



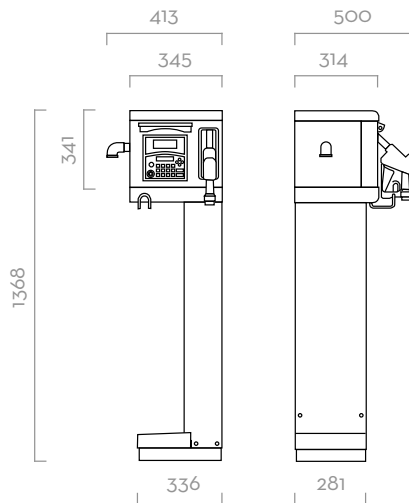
IN THE BOX

- CUBE MC DISPENSER
- AUTOMATIC NOZZLE
- DELIVERY HOSE
- INSTRUCTION MANUAL

DETAILS



DIMENSIONS



Dimensions expressed in millimeters

MATERIALS

- **PUMPS:**
 PANTHER AC PAG. 102
 PANTHER DC PAG. 114
- **METER:**
 K600/3 PAG. 134
- **NOZZLE:**
 AUTOMATIC NOZZLE PAG. 158

TECHNICAL DATA

CODE	DESCRIPTION	FLUIDS TYPE	FLOW RATE		VOLTAGE			PUMP	METER	NOZZLE	FILTER	INLET	HOSE		PC		USERS
			L/MIN	GPM	AC V/ HZ	DC VOLT	POWER WATT						AMP. MAX.	TYPE	TYPE	TYPE	
FO059400D	CUBE 70 MC	D	70	18	230/50	900	4.2	PANTH 72	K600	A60	NO	1"	4M	1"	YES	50	
FO059413C	CUBE 70 MC DC 12V	D	56	15	12	300	35	PANTH DC	K600	A60	NO	1"	4M	1"	YES	50	
FO059414C	CUBE 70 MC DC 24V	D	70	18	24	420	25	PANTH DC	K600	A60	NO	1"	4M	1"	YES	50	
FO059415C	CUBE 70 MC 120 UT	D	70	18	230/50	550	3.3	PANTH 72	K600	A60	NO	1"	4M	1"	YES	120	
FO059422A	CUBE 70 MC 12V 120 UT	D	56	15	12	300	35	PANTH DC	K600	A60	NO	1"	4M	1"	YES	120	