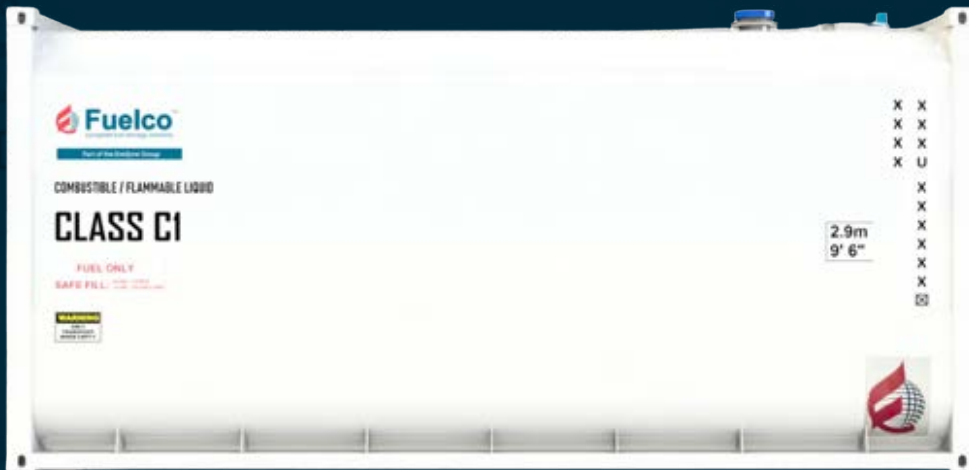




**Fuelco**<sup>TM</sup>  
complete fuel storage solutions



# SPEC SHEET

**Kommander Tanks  
LTKO 38**

# Kommander – LTKO 38

## Standard Tanks Features:

### Self bunded double wall design with

- Fluid level dipstick for tank and interstitial space
- UL compliant emergency relief vents on the main tank and interstitial space
- Vent stack with screened rainproof outlet
- Suction foot valve, overfill protection and electronic overfill alarm
- Corner container lock castings for ease of transport
- Access manway
- Warranty\*– 5 years structural, 1 year on valves

### Options include

- Inspection ladder
- Clip-on pump bay
- Dispensing and fuel management



Specification	Details
Tank Model	LTKO 38
Gross Fill	36,836 litres
SFL	35,000 litres
Length	6058 mm
Width	2438 mm
Height	2896 mm
Tare Weight	6,133 kg
Vent Pipe	Standard
Fluid Level Dipstick	Standard
Compliance	AS1940, AS1692, AS1657, UL142, ULCS601, CSC

Disclaimer: Information and photographs shown are for marketing purposes only. Actual product may vary to images shown due to continual improvement processes, design changes and optional extras.

## Contact details:

+61 (03) 9775 1366  
 sales@fuelco.com.au  
 fuelco.com.au

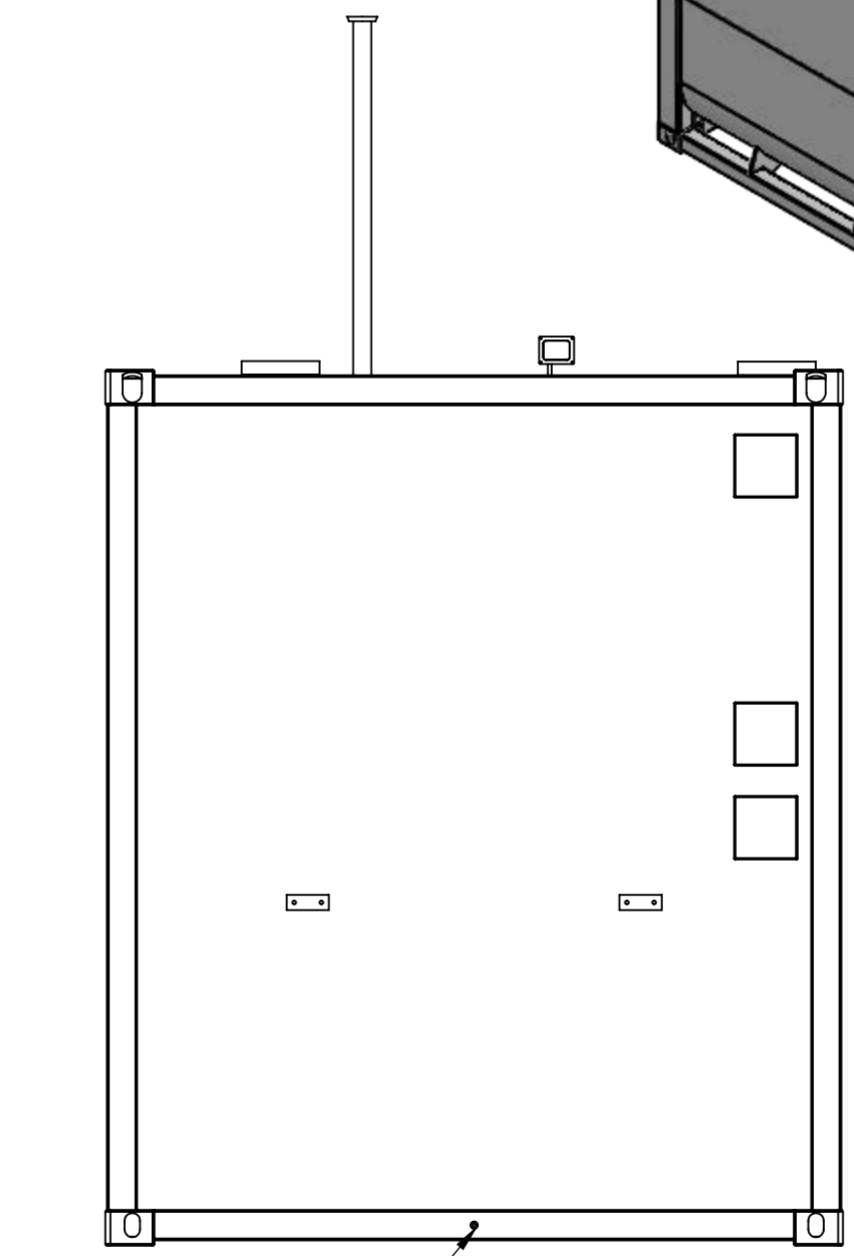
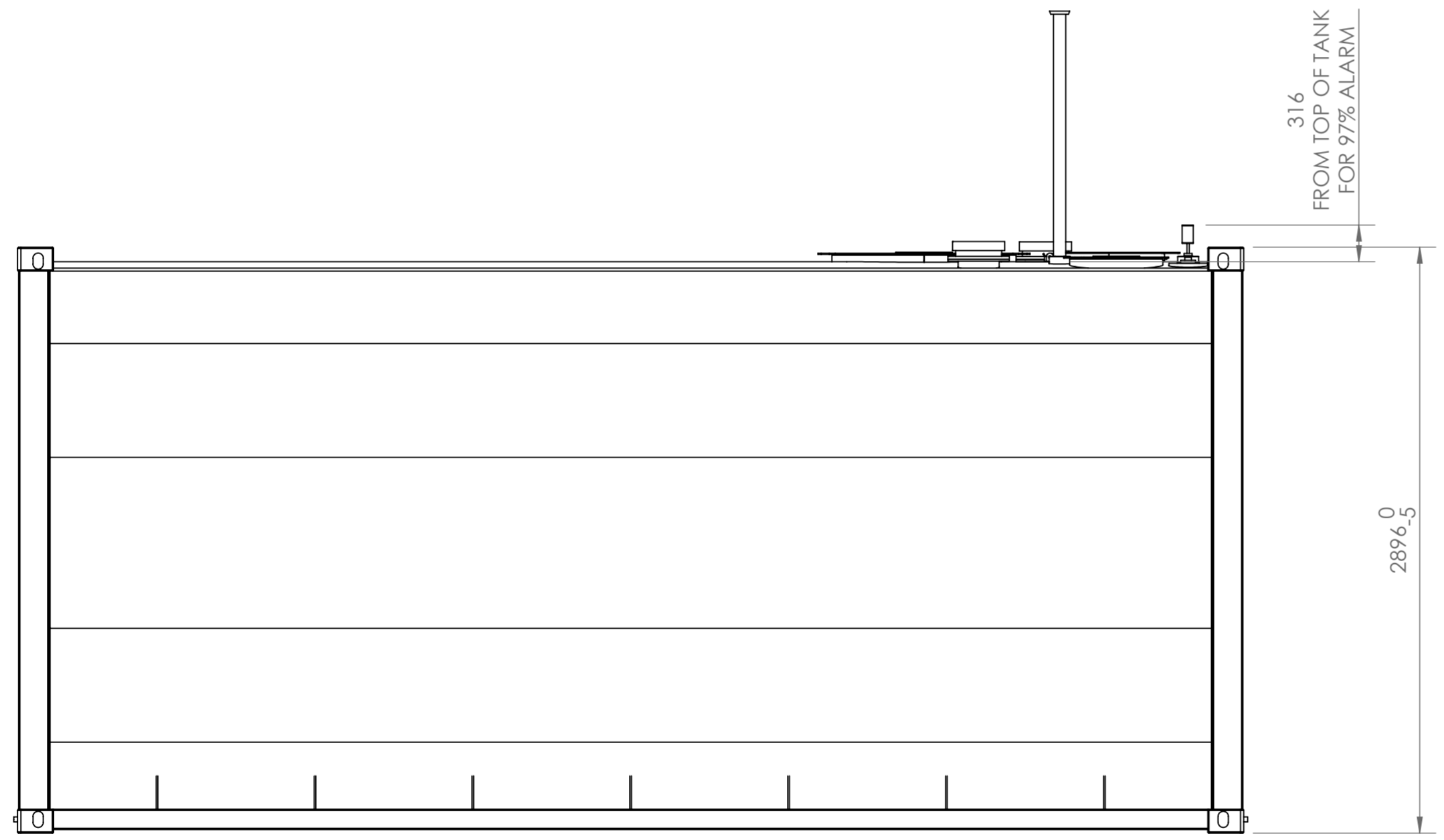
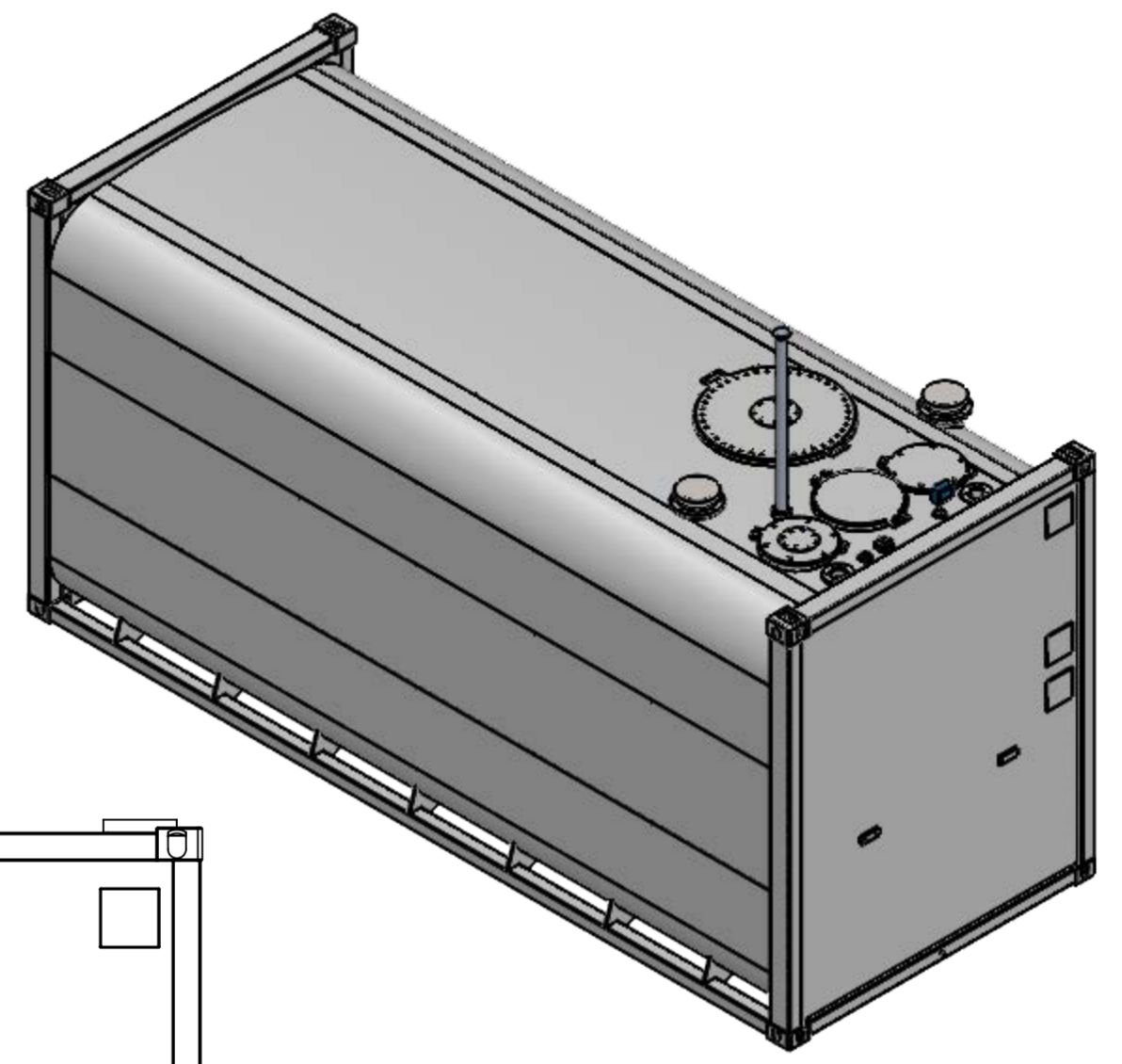
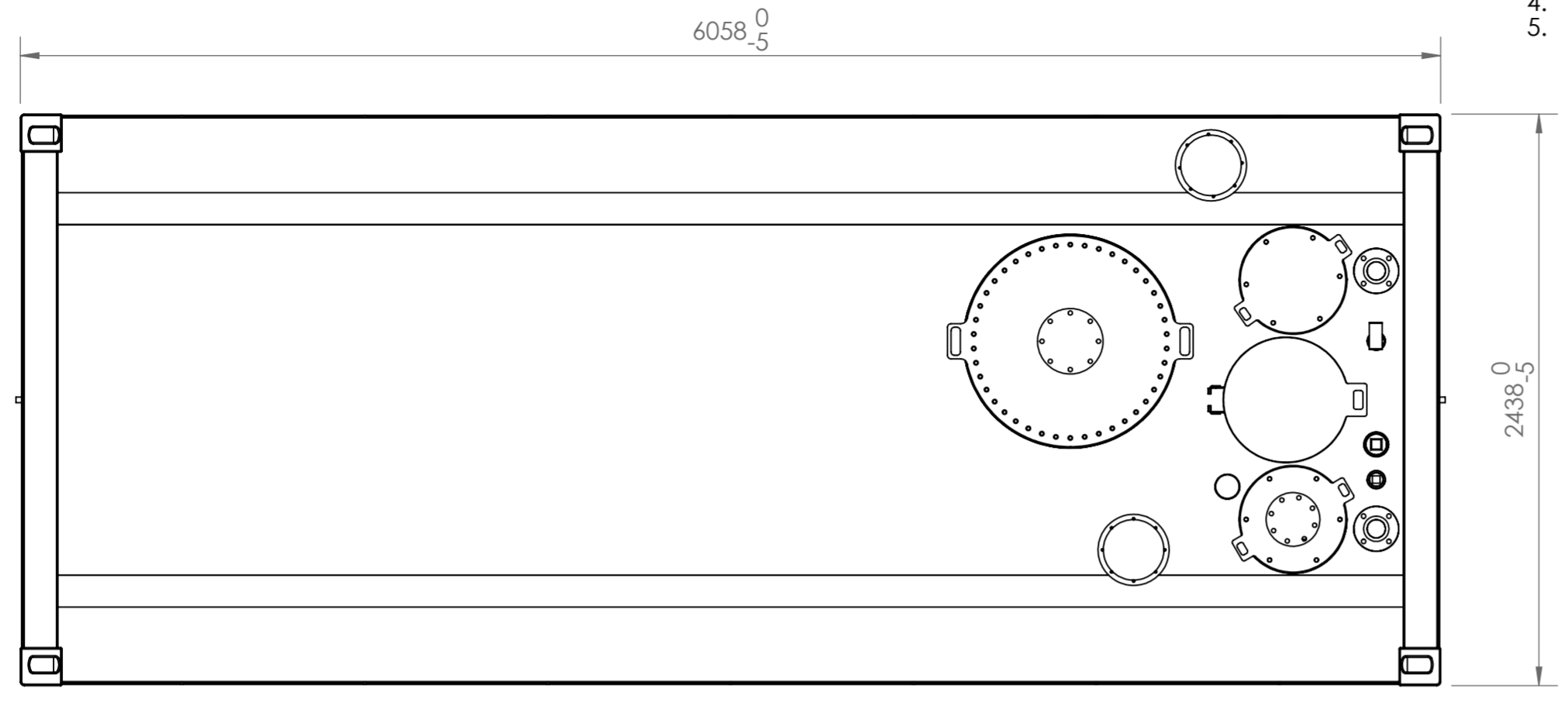
## Request a Quote Today

Fuelco holds stock of these tanks in ALL states across Australia. For details on availability and pricing, please contact your local state manager.



TANK DATA	
DESIGNED TO:	AS1692, AS1940, UL142, ULC S601, CSC
BUILT TO:	AS1692, UL142, ULC S601, CSC
TESTED TO:	UL142, CSC
INNER WALL THICKNESS / MATERIAL:	5mm / Q235
OUTER WALL THICKNESS / MATERIAL:	5mm / Q235
GROSS VOLUME:	36 836L; 9 731 US gal
SAFE FILL LEVEL (VOLUME):	35 000L; 9 246 US gal (95%)
LEAK TEST PRESSURE:	21-35 kPa; 3-5 psi
PAINT SPECIFICATION:	HEMPEL PAINT 1st: HEMPADUR ZINC 17360: 50 µm 2nd: HEMPADUR FAST DRY 15560: 100 µm 3rd: HEMPATANE HS 55610: 50 µm COLOUR: HEMPEL 10000 - GLOSSY WHITE
TOTAL MASS (EMPTY):	6 133 kg

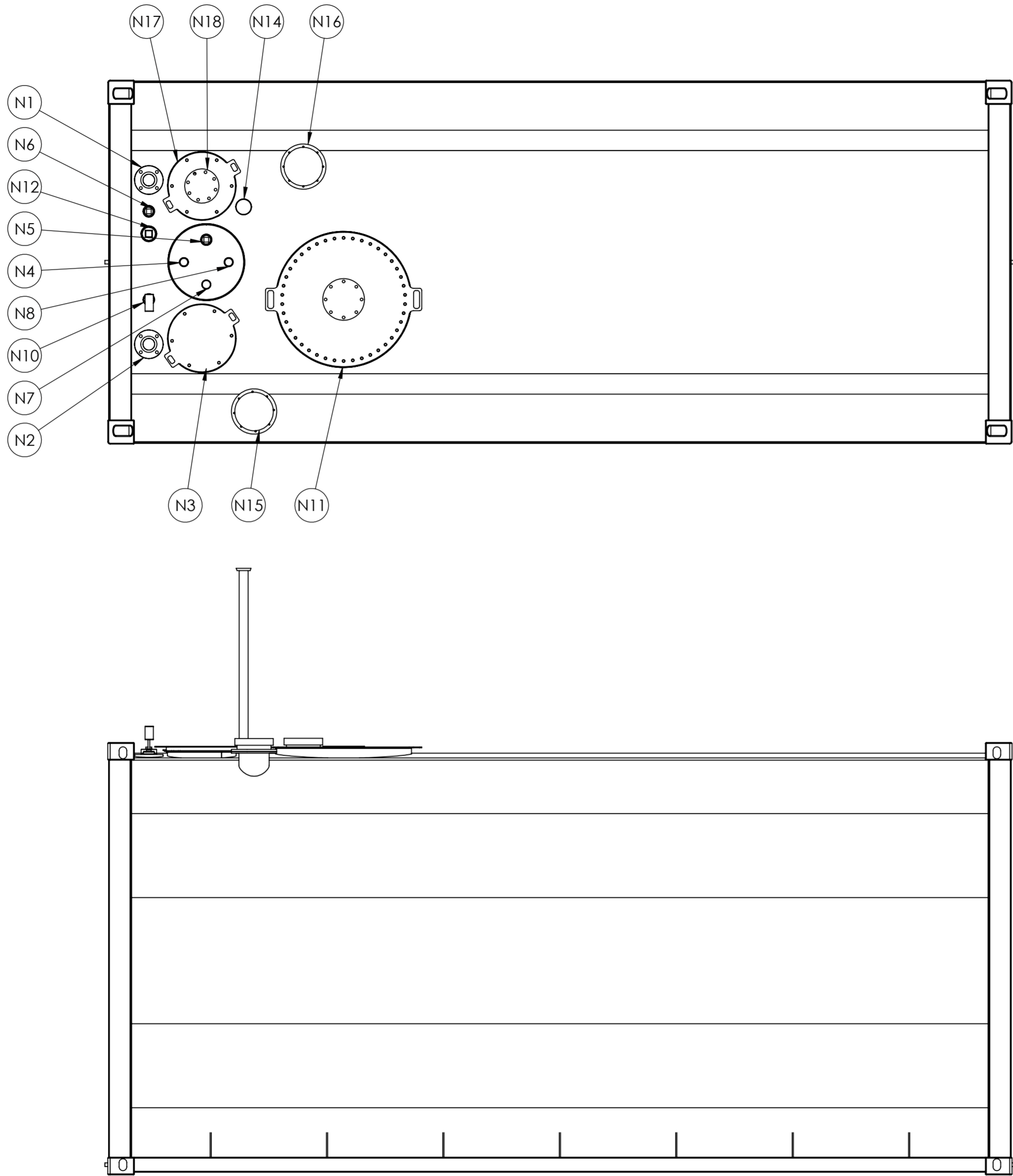
- NOTES:
1. NOT FOR CONSTRUCTION. ISSUED FOR INFORMATION ONLY.
  2. SOME ITEMS ARE REPRESENTATIVE ONLY.
  3. TANK IS SS-LINED INTERNALLY.
  4. MATERIAL FOR WETTED AREAS IS SS-304.
  5. DO NOT SCALE - IF IN DOUBT ASK.



**IF IN DOUBT ASK. DRAWING INFORMATION TAKES PRECEDENCE OVER PARTS LIST**

	<b>GENERAL NOTES</b> DO NOT SCALE UNLESS STATED OTHERWISE- ALL DIMENSIONS IN MILLIMETERS ALL THREADS ARE METRIC COARSE DEBURR & REMOVE ALL SHARP EDGES TOLERANCES: TYPE TOLERANCE GENERAL ±5.0 ONE DECIMAL PLACE ±0.1 TWO DECIMAL PLACE ±0.1 ANGULAR (*) ±1.0	SCALE NTS DWN LIB 28/3/2023	TITLE LTKO38 KOMMANDER BULK TANK GENERAL ARRANGEMENT STANDARD CONFIGURATION SHEET 1 OF 2
	Part of the Eredyne Group <small>COPYRIGHT: This drawing and the information herein is the property of Fuelco PTY LTD and must not be reproduced, transmitted or disclosed to other parties without written permission from the owners.</small>	CLIENT END USER	DRAWING NUMBER LTKO38-GA-00

A	ISSUED FOR INFORMATION	28/03/2023	LIB	JA
REV.	DESCRIPTION	DATE	DWN	APP
REVISIONS				



NOZZLE NO.	SIZE	CONNECTION TYPE	DESCRIPTION
N1	DN80	ASME CLASS 150 FLANGE	SUCTION C/W DN80 PIPE TO FLOOR & FOOT VALVE
N2	DN80	ASME CLASS 150 FLANGE	FILL PIPE C/W DN80 PIPE TO FLOOR, OVERFILL PROTECTION VALVE, CHECK VALVE, BALL VALVE AND CAMLOCK
N3	350	INSPECTION HATCH	INSPECTION HATCH WITH ACCESS TO OVER FILL PROTECTION VALVE
N4	DN50	BSP-F x 50 LONG	SPARE
N5	DN50	BSP-F x 50 LONG	SPARE
N6	DN50	BSP-F x 50 LONG	SPARE / GAUGE
N7	DN50	BSP-M x 35 LONG	PRIMARY TANK DIP C/W DN50 PIPE THROUGH INTERNAL FLOOR & LOCKABLE DIP CAP
N8	DN50	BSP-M x 35 LONG	INTERSTITIAL SPACE DIP C/W DN50 PIPE THROUGH INTERNAL FLOOR & LOCKABLE DIP CAP
N9			NOT USED
N10	DN50	BSP-F x 50 LONG	C/W OVERFILL WARNING ALARM
N11	600	MANWAY	MANWAY C/W LADDER ACCESS TO TANK INTERNAL
N12	DN80	BSP-F x 75 LONG	SPARE / GAUGE
N13			NOT USED
N14	DN80	BSP-F x 35 LONG	FREE VENT C/W RISER & VENT CAP SUPPLIED LOOSE
N15	DN200	ASME CLASS 150 FLANGE	INTERSTITIAL SPACE EMERGENCY VENT C/W DN200 PIPE CONNECTED THROUGH INTERNAL SKIN
N16	DN200	ASME CLASS 150 FLANGE	PRIMARY EMERGENCY VENT
N17	350	INSPECTION HATCH	INSPECTION HATCH WITH ACCESS TO FOOT VALVE
N18	DN150	ASME CLASS 150 FLANGE	SPARE / SUBMERSIBLE PUMP

BSP-F: BSP FEMALE THREAD  
BSP-M: BSP MALE THREAD

**IF IN DOUBT ASK.  
DRAWING INFORMATION TAKES PRECEDENCE OVER PARTS LIST**

<p>complete fuel storage solutions</p> <p>Part of the Eredyne Group</p> <p><small>COPYRIGHT: This drawing and the information herein is the property of Fuelco PTY LTD and must not be reproduced, transferred or disclosed to other parties without written permission from the owners.</small></p>	<p><b>GENERAL NOTES</b> DO NOT SCALE UNLESS STATED OTHERWISE:- ALL DIMENSIONS IN MILLIMETERS ALL THREADS ARE METRIC COARSE DEBURR &amp; REMOVE ALL SHARP EDGES TOLERANCES:</p> <table border="1"> <tr> <th>TYPE</th> <th>TOLERANCE</th> </tr> <tr> <td>GENERAL</td> <td>±5.0</td> </tr> <tr> <td>ONE DECIMAL PLACE</td> <td>±0.1</td> </tr> <tr> <td>TWO DECIMAL PLACE</td> <td>±0.1</td> </tr> <tr> <td>ANGULAR (°)</td> <td>±1.0</td> </tr> </table>	TYPE	TOLERANCE	GENERAL	±5.0	ONE DECIMAL PLACE	±0.1	TWO DECIMAL PLACE	±0.1	ANGULAR (°)	±1.0	<p>SCALE NTS</p> <p>DWN LIB 28/3/2023</p>	<p>TITLE</p> <p>LTKO38 KOMMANDER BULK TANK GENERAL ARRANGEMENT STANDARD CONFIGURATION SHEET 2 OF 2</p>
		TYPE	TOLERANCE										
GENERAL	±5.0												
ONE DECIMAL PLACE	±0.1												
TWO DECIMAL PLACE	±0.1												
ANGULAR (°)	±1.0												
<p>CLIENT</p>	<p>END USER</p>	<p>DRAWING NUMBER</p> <p>LTKO38-GA-00</p>	<p>REV</p> <p>A</p>										

E:\Eredyne Group Dropbox\Lionel