



**Fuelco**<sup>TM</sup>  
complete fuel storage solutions



# SPEC SHEET

**Kommander Tanks  
LTKO 12**

# Kommander – LTKO 12

## Features:



### Self bunded double wall design with

- Fluid level dipstick for tank and interstitial space
- UL compliant emergency relief vents on the main tank and interstitial space
- Vent stack with screened rainproof outlet
- Suction foot valve, overfill protection and electronic overfill alarm
- Corner container lock castings for ease of transport
- Access manway
- Warranty\* – 5 years structural, 1 year on valves

### Pump bay model standard with:

- Bunded pump bay with lockable weatherproof doors (roller shutter door optional)
- Galvanised access ladder and platform; with ladder fitted to either side of the platform (ex-factory)
- Galvanised kick plate and middle rail provided for additional safety of users



Specification	Details
Tank Model	LTKO 12
Gross Fill	11,726 litres
SFL	10,700 litres
Length	2991 mm
Width	2438 mm
Height	2896 mm
Empty Weight	4,045 kg
Vent Pipe	Standard
Fluid Level Dipstick	Standard
Compliance	AS1940, AS1692, AS1657, UL142, ULCS601, CSC

Disclaimer: Information and photographs shown are for marketing purposes only. Actual product may vary to images shown due to continual improvement processes, design changes and optional extras.

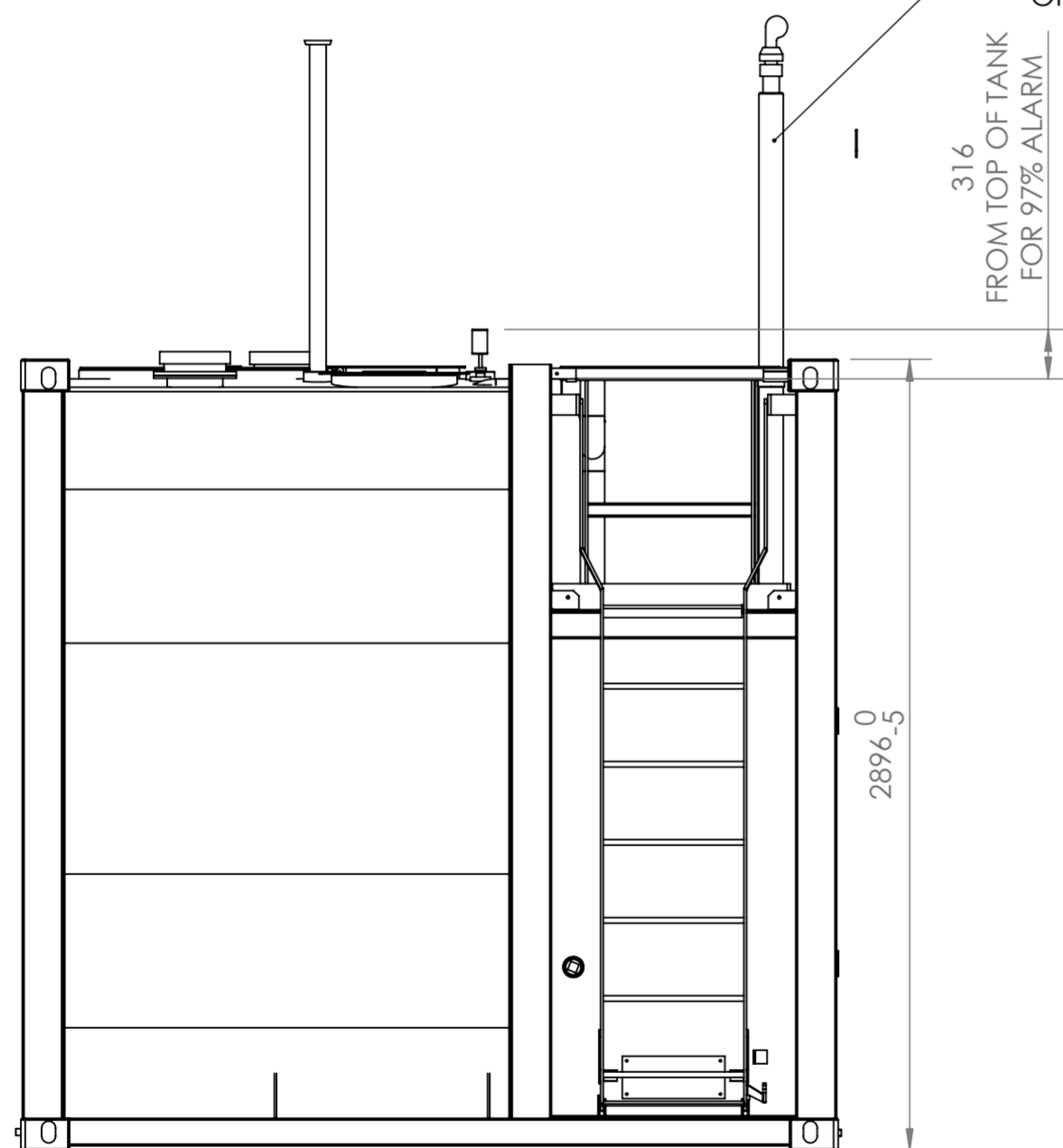
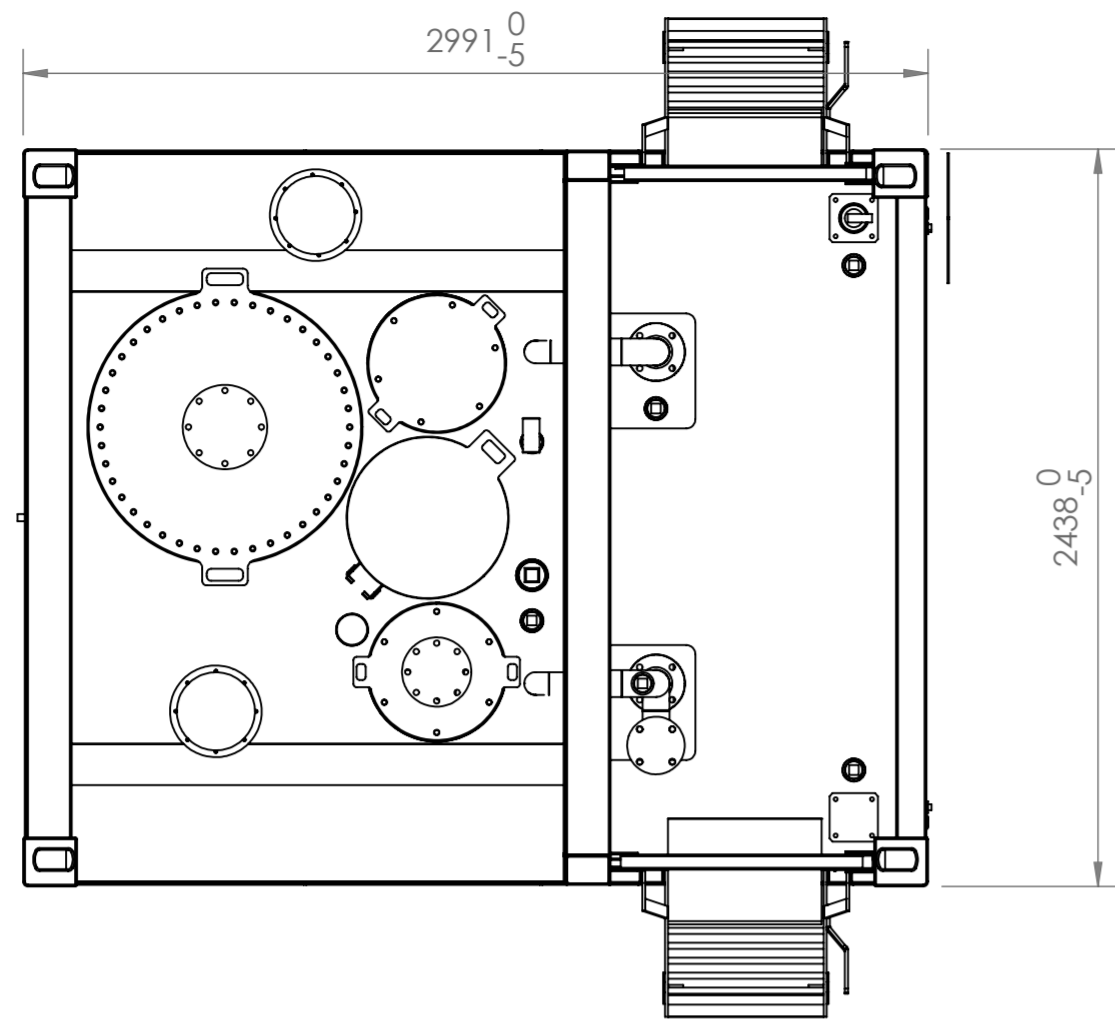
## Contact details:

+61 (03) 9775 1366  
 sales@fuelco.com.au  
 fuelco.com.au

## Request a Quote Today

Fuelco holds stock of these tanks in ALL states across Australia. For details on availability and pricing, please contact your local state manager.

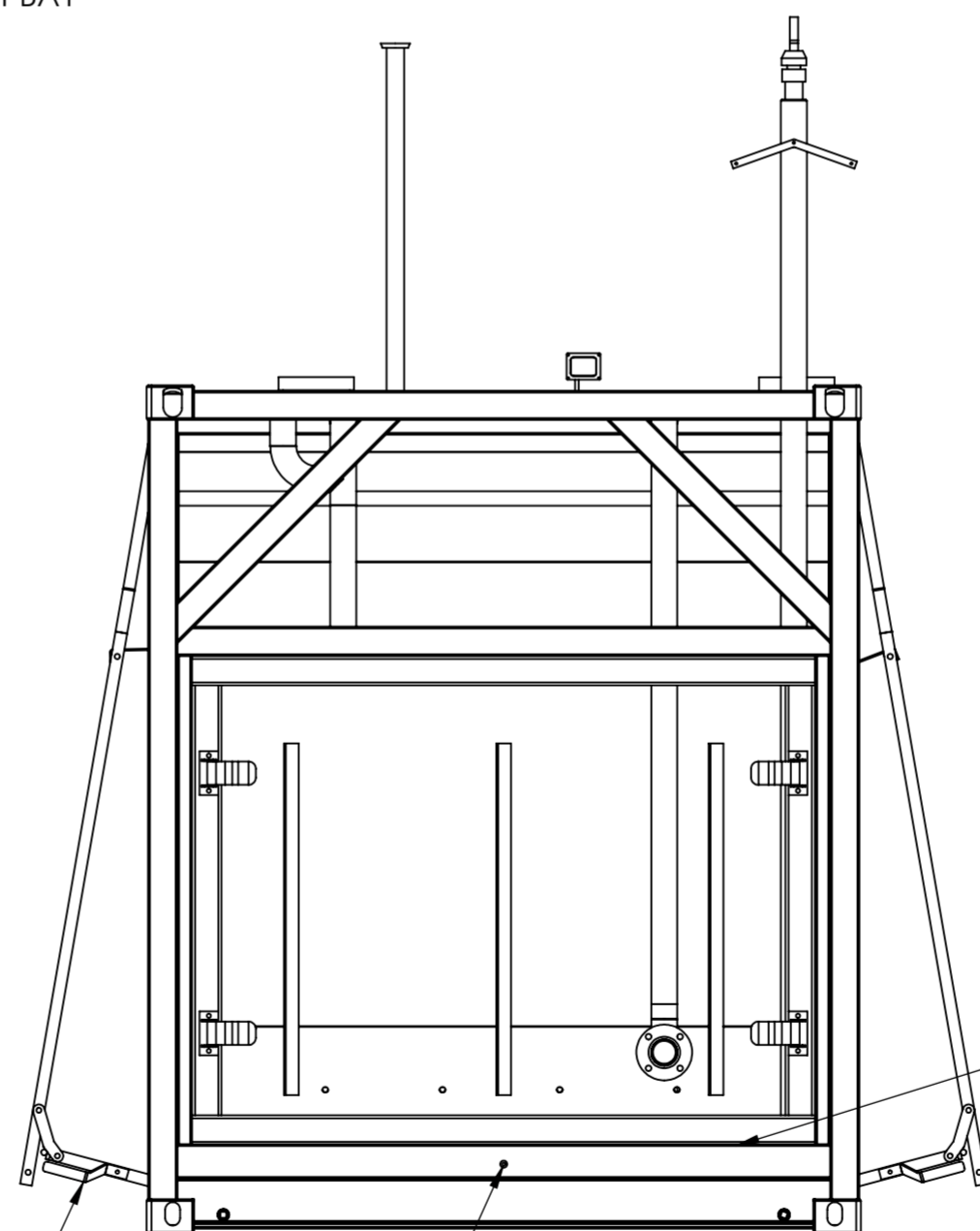




SINGLE HOSE MAST SUPPLIED AS STANDARD, CAN BE FITTED ON EITHER SIDE OF PUMPBAY

316  
FROM TOP OF TANK FOR 97% ALARM

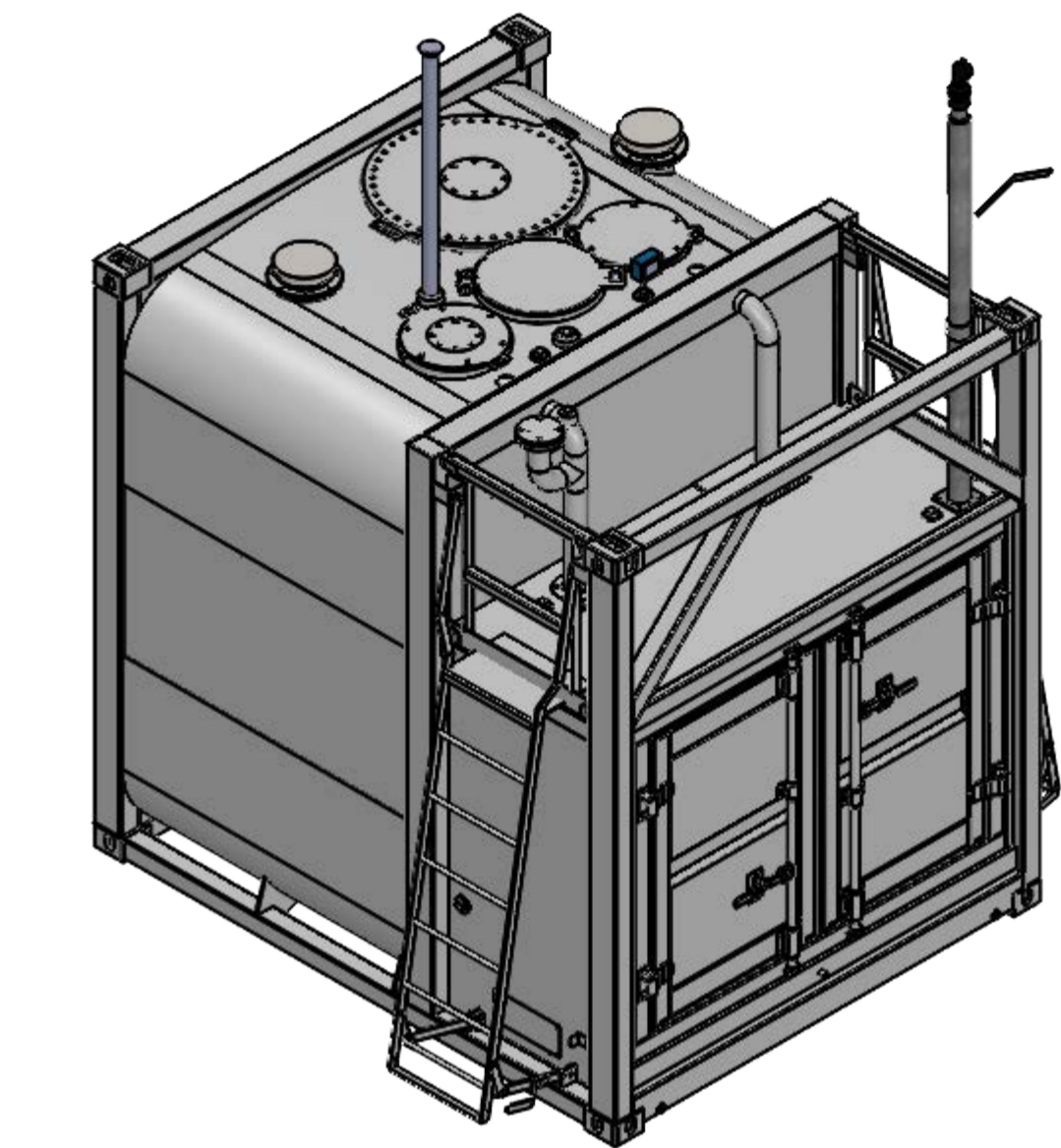
1 x AS1657 ACCESS LADDER SUPPLIED, CAN BE FITTED TO BOTH SIDES OF TANK  
HAND RAIL INSERT PROVIDED FOR OPPOSITE SIDE



FLOOR GRATING FITTED FOR EASE OF ACCESS

EARTHING LUG TYP BOTH ENDS M10

**LOCKABLE DOORS - HIDDEN FOR CLARITY**



TANK DATA	
DESIGNED TO:	AS1692, AS1940, UL142, ULC S601, CSC
BUILT TO:	AS1692, UL142, ULC S601, CSC
TESTED TO:	UL142, CSC
OUTER / INNER WALL THICKNESS:	5mm / 5mm
GROSS VOLUME:	11 726L; 3 098 US gal
SAFE FILL LEVEL (VOLUME):	10 700L; 2 827 US gal (95%)
LEAK TEST PRESSURE:	21-35 kPa; 3-5 psi
PAINT SPECIFICATION:	HEMPEL PAINT 1st: HEMPADUR ZINC 17360: 50 µm 2nd: HEMPADUR FAST DRY 15560: 100 µm 3rd: HEMPATHANE HS 55610: 50 µm COLOUR: HEMPEL 10000 - GLOSSY WHITE
TOTAL MASS (EMPTY):	4 045 kg

**IF IN DOUBT ASK. DRAWING INFORMATION TAKES PRECEDENCE OVER PARTS LIST**

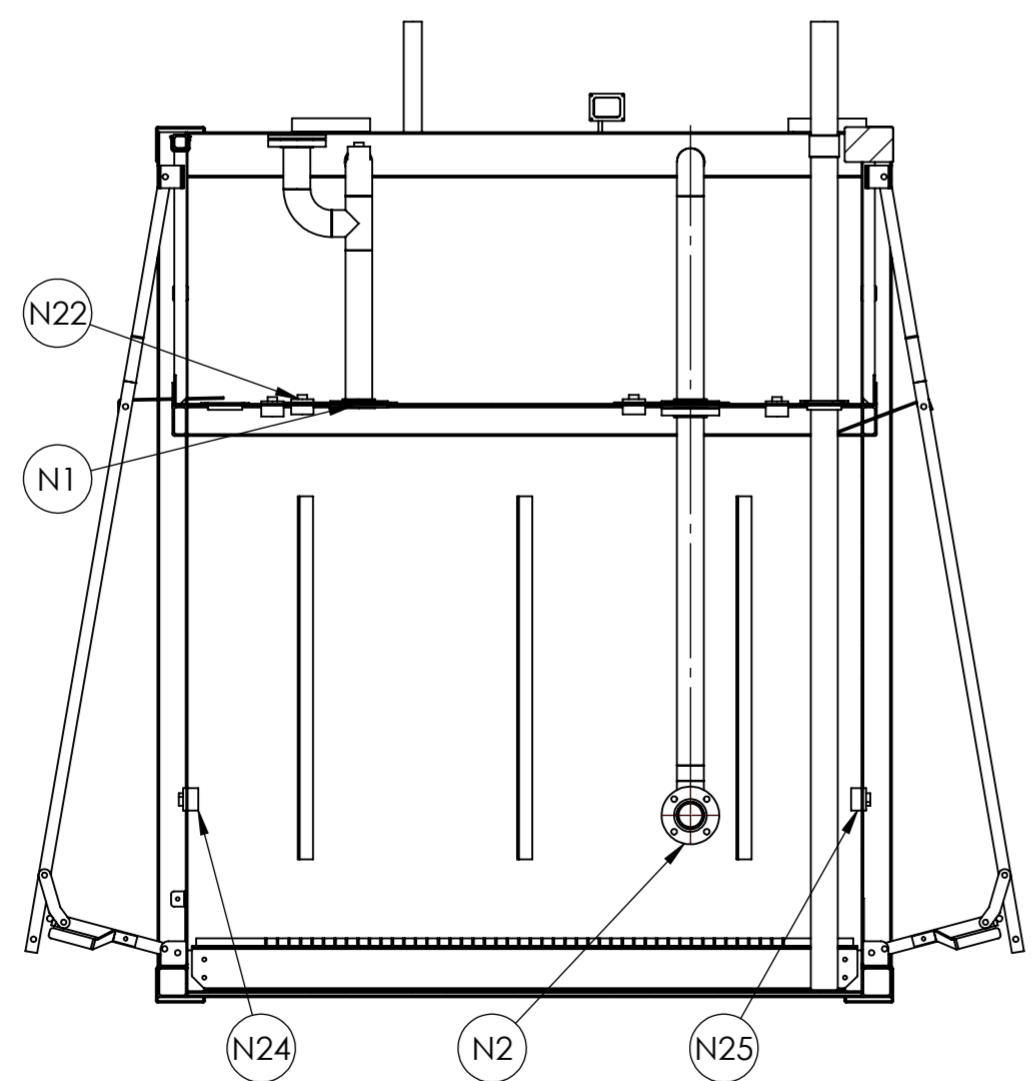
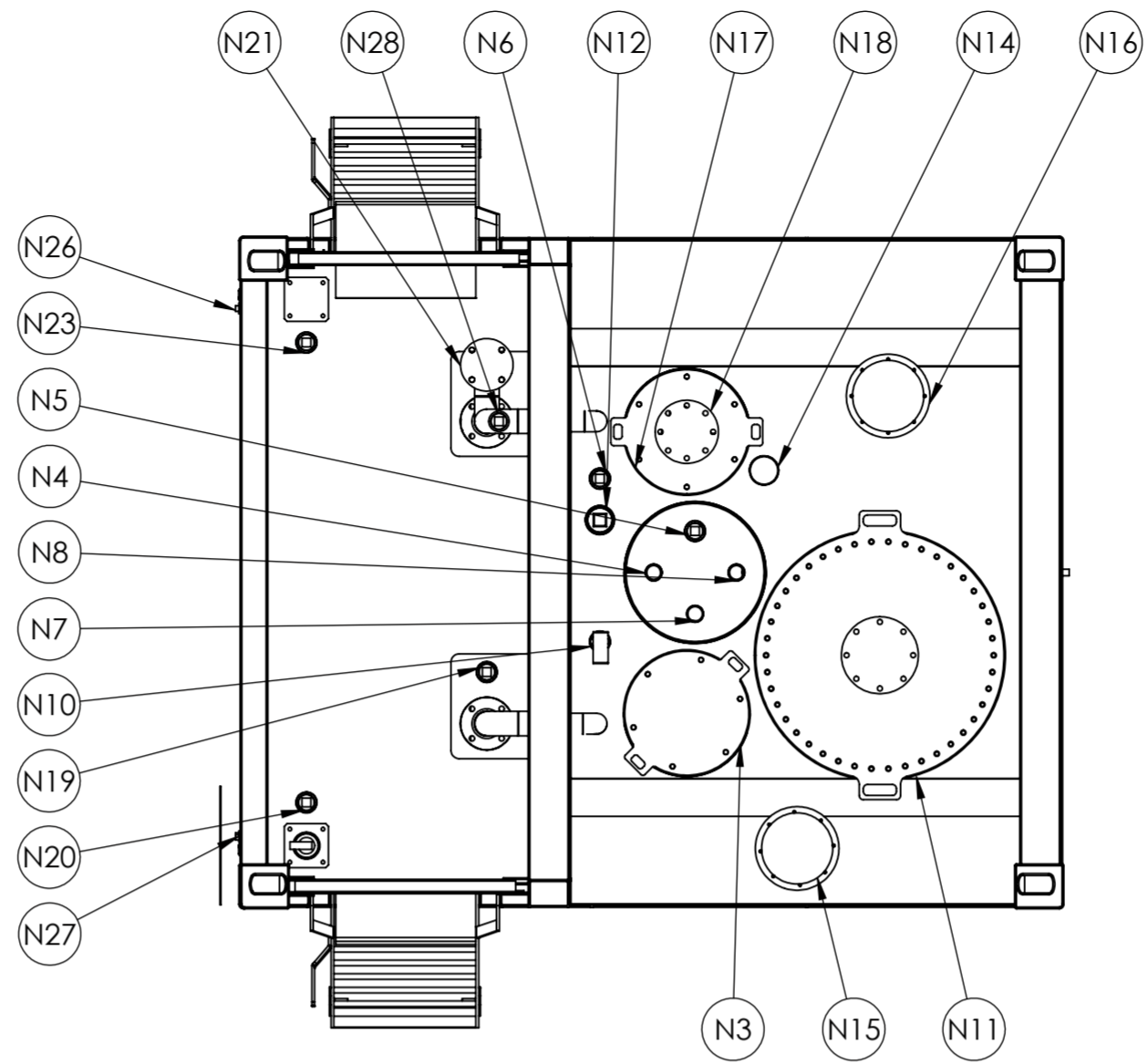


**GENERAL NOTES**  
DO NOT SCALE  
UNLESS STATED OTHERWISE:-  
ALL DIMENSIONS IN MILLIMETERS  
ALL THREADS ARE METRIC COARSE  
DEBURR & REMOVE ALL SHARP EDGES  
TOLERANCES:  
TYPE TOLERANCE  
GENERAL ±5.0  
ONE DECIMAL PLACE ±0.1  
TWO DECIMAL PLACE ±0.1  
ANGULAR (°) ±1.0

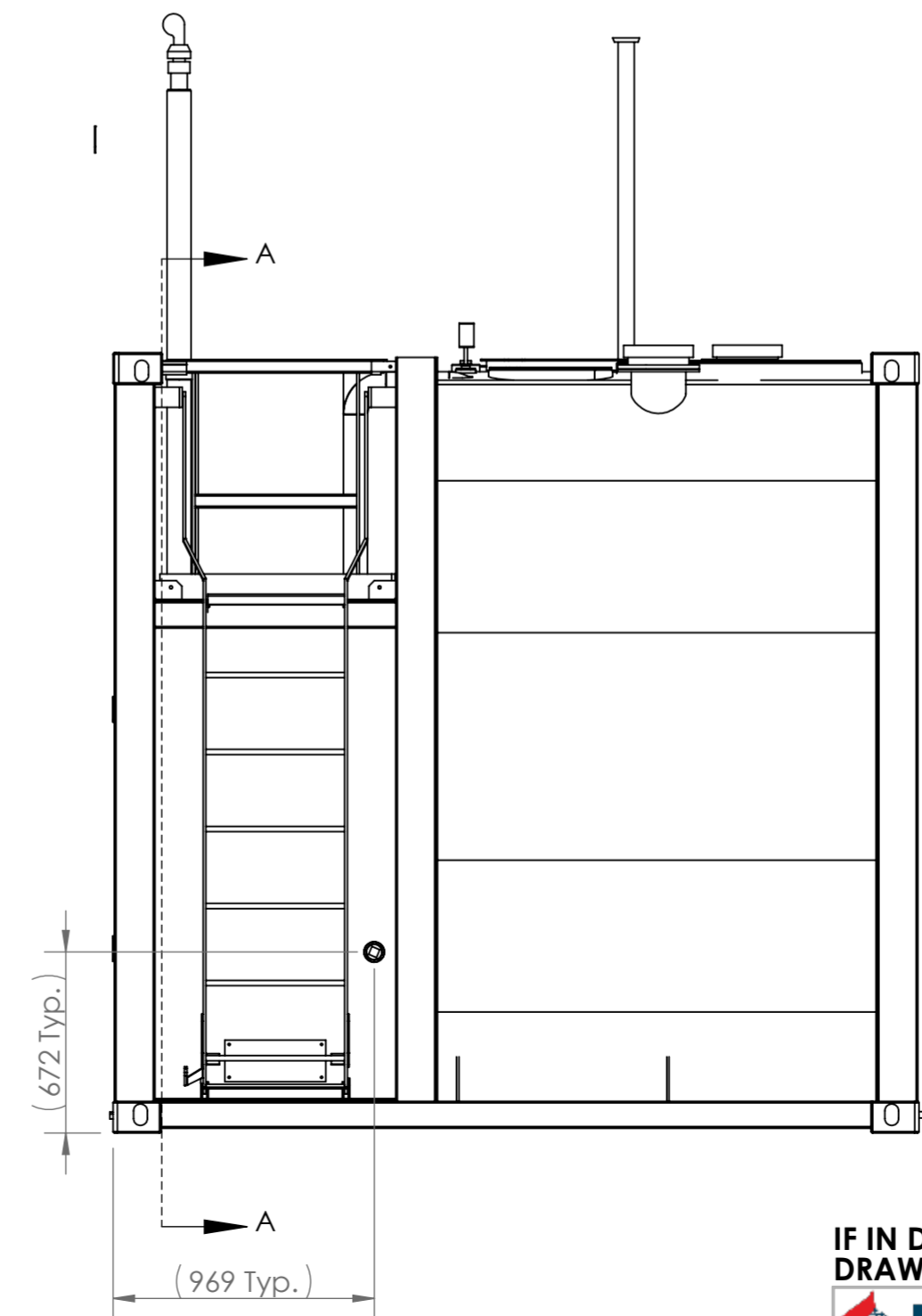
SCALE	NTS	TITLE
DWN	RVD	24/7/2023
CLIENT		
END USER		

DRAWING NUMBER	LTKO12-GA-00	REV	A
TITLE		LTKO 12 KOMMANDER BULK TANK GENERAL ARRANGEMENT STANDARD CONFIGURATION SHEET 1 OF 2	

REV.	DESCRIPTION	DATE	DWN	APP
A	ISSUED FOR INFORMATION	24/7/2023	RVD	HS



SECTION A-A



NOZZLE NO.	SIZE	CONNECTION TYPE	DESCRIPTION
N1	DN80	ASME CLASS 150 FLANGE	SUCTION C/W DN80 PIPE TO FLOOR & FOOT VALVE
N2	DN80	ASME CLASS 150 FLANGE	FILL PIPE C/W DN80 PIPE TO FLOOR, OVERFILL PROTECTION VALVE, CHECK VALVE, BALL VALVE AND CAMLOCK
N3	350	INSPECTION HATCH	INSPECTION HATCH WITH ACCESS TO OVER FILL PROTECTION VALVE
N4	DN50	BSP-F x 50 LONG	SPARE
N5	DN50	BSP-F x 50 LONG	SPARE
N6	DN50	BSP-F x 50 LONG	SPARE / GAUGE
N7	DN50	BSP-M x 35 LONG	PRIMARY TANK DIP C/W DN50 PIPE TO FLOOR & LOCKABLE DIP CAP
N8	DN50	BSP-M x 35 LONG	INTERSTITIAL SPACE DIP C/W DN50 PIPE THROUGH INTERNAL FLOOR & LOCKABLE DIP CAP
N9			NOT USED
N10	DN50	BSP-F x 50 LONG	C/W OVERFILL WARNING ALARM
N11	600	MANWAY	MANWAY C/W LADDER ACCESS TO TANK INTERNAL
N12	DN80	BSP-F x 75 LONG	SPARE / GAUGE
N13			NOT USED
N14	DN80	BSP-F x 35 LONG	FREE VENT C/W RISER & VENT CAP SUPPLIED LOOSE
N15	DN200	ASME CLASS 150 FLANGE	INTERSTITIAL SPACE EMERGENCY VENT C/W DN200 PIPE CONNECTED THROUGH INTERNAL SKIN
N16	DN200	ASME CLASS 150 FLANGE	PRIMARY EMERGENCY VENT
N17	350	INSPECTION HATCH	INSPECTION HATCH WITH ACCESS TO FOOT VALVE
N18	DN150	ASME CLASS 150 FLANGE	SPARE / SUBMERSIBLE PUMP
N19	DN50	BSP-F x 50 LONG	SPARE (INTO PUMP BAY)
N20	DN50	BSP-F x 50 LONG	HIGH MAST DISPENSING
N21	DN80	ASME CLASS 150 FLANGE	SUCTION PRIMING PORT / SUBMERSIBLE PUMP CONNECTION
N22	DN50	BSP-F x 50 LONG	SPARE (INTO PUMP BAY) / SUB PUMP ELECTRICALS
N23	DN50	BSP-F x 50 LONG	HIGH MAST DISPENSING
N24	DN50	BSP-F x 50 LONG	SPARE (INTO PUMP BAY) / EXTERNAL ELECTRICALS
N25	DN50	BSP-F x 50 LONG	SPARE (INTO PUMP BAY) / EXTERNAL ELECTRICALS
N26	DN25	BSP-F x 45 LONG	PUMP BUND DRAIN
N27	DN25	BSP-F x 45 LONG	PUMP BUND DRAIN
N28	DN50	BSP-F x 50 LONG	PRIME POINT

BSP-F: BSP FEMALE THREAD  
BSP-M: BSP MALE THREAD

**IF IN DOUBT ASK. DRAWING INFORMATION TAKES PRECEDENCE OVER PARTS LIST**

Part of the Eredyne Group

COPYRIGHT: This drawing and the information herein is the property of Fuelco PTY LTD and must not be reproduced, transferred or disclosed to other parties without written permission from the owners.

**GENERAL NOTES**  
DO NOT SCALE  
UNLESS STATED OTHERWISE:-  
ALL DIMENSIONS IN MILLIMETERS  
ALL THREADS ARE METRIC COARSE  
DEBURR & REMOVE ALL SHARP EDGES  
TOLERANCES:

TYPE	TOLERANCE
GENERAL	±5.0
ONE DECIMAL PLACE	±0.1
TWO DECIMAL PLACE	±0.1
ANGULAR (°)	±1.0

SCALE	NTS	TITLE
DWN	RVD	24/7/2023
CUSTOMER		
END USER		

DRAWING NUMBER: LTKO12-GA-00

TITLE: LTKO 12 KOMMANDER BULK TANK  
GENERAL ARRANGEMENT  
STANDARD CONFIGURATION  
SHEET 2 OF 2

REV: A