



Fuelco™
complete fuel storage solutions

FuelMaster - 1225 - 9000 Litres

STORAGE AND DISTRIBUTION



The Kingspan Titan FuelMaster range is specifically designed for the storage, distribution and protection of diesel fuel. And with the Watchman Anywhere included* as standard, you can monitor your diesel levels from anywhere - even on the move. Whether you are in the Commercial or Agricultural industry the static bunded FuelMaster will ensure you meet all stringent diesel storage regulations.

Available in seven capacities from 1200-9000 litres, and offering a range of tank monitoring systems to meet most application requirements. All FuelMaster tanks come double skinned for environmental protection and to safeguard against contamination. All tanks within this range are fitted with a lockable cabinet to secure all of the standard and ancillary equipment.

FuelMasters give our customers a quality cost saving and compliant Diesel Storage solution backed by excellent technical and customer service support and a 10 year tank guarantee**.

Authorised Distributors of



* Only available on capacities: 3500, 4000, 5000, 9000 L
** 10 year tank and one year parts guarantee

FuelMaster® PRO

with the Titan Access (XTrack) system

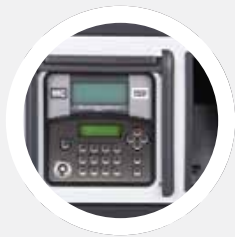
The Titan Access (XTrack) distribution system allows for large scale activities with regard to the management and control of the stored diesel fuel.



- Recording amount of fuel delivered to individual users or vehicles (embedded data base able to accommodate up to 20,000 items).
- User tracking with RFID proximity cards with unique user ID's.
- Wireless transmission of data to the server via a GSM or WIFI modem - a tank can be in any location.
- Two-stage access authorization (e.g. driver/vehicle, supervisor/employee etc.)
- Tank location monitoring - using integrated GPS module.
- Continuous fuel level and temperature measurement for detection of unauthorized fuel collection.
- Records vehicle mileage before starting to dispense fuel.
- The system can be adapted to your own needs.

FuelMaster® STANDARD

an option with a multiple access system for up to 120 users



- Dual-function counter (current and total amount) with calibration.
- Highly accurate indication of the amount of expended fuel (with allowable deviation of +/- 1%).

Optional equipment:

- Computer software for preparation of detailed fuel outflow reports; data can be transferred to PC using an electronic key.
- Electronic code keys for users - as an alternative to PIN codes.

FuelMaster® STANDARD

a version with a digital counter

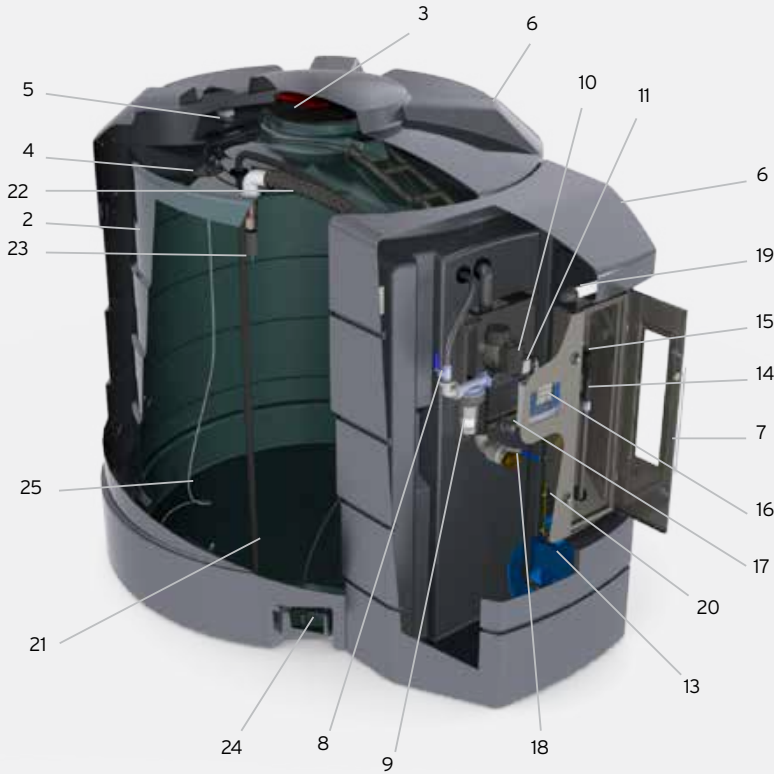


- Dual-function counter (current and total amount) with calibration.
- Highly accurate indication of the amount of expended fuel (with allowable deviation of +/- 1%).
- Option to install a version without display, with output to other devices and system expansion.

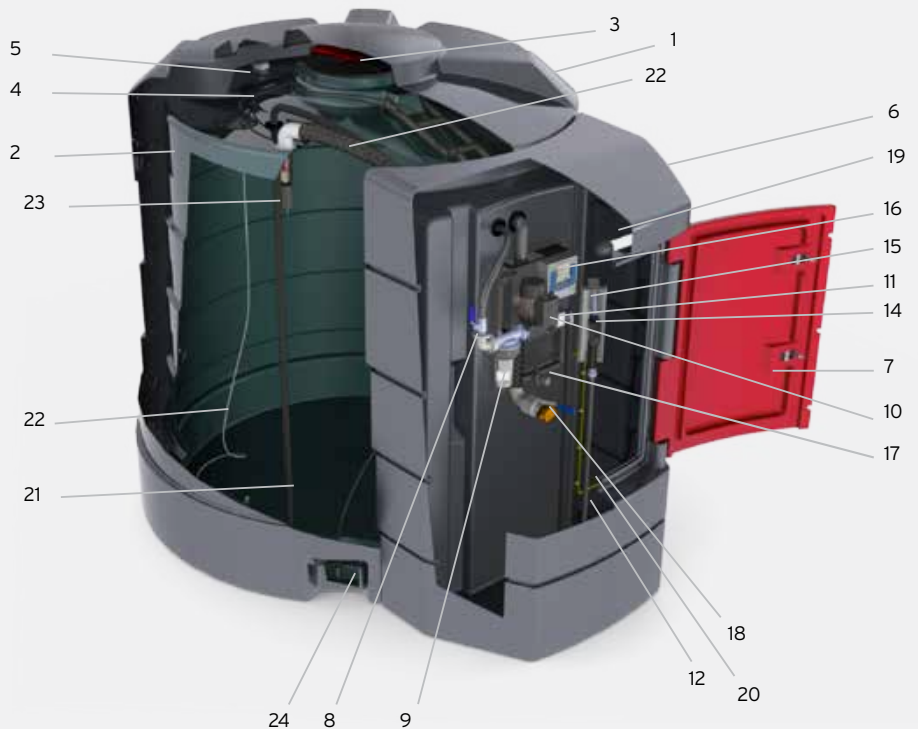


Fuelco™
complete fuel storage solutions

PRODUCT SPECIFICATIONS



FuelMaster® PRO
Specification No. 7

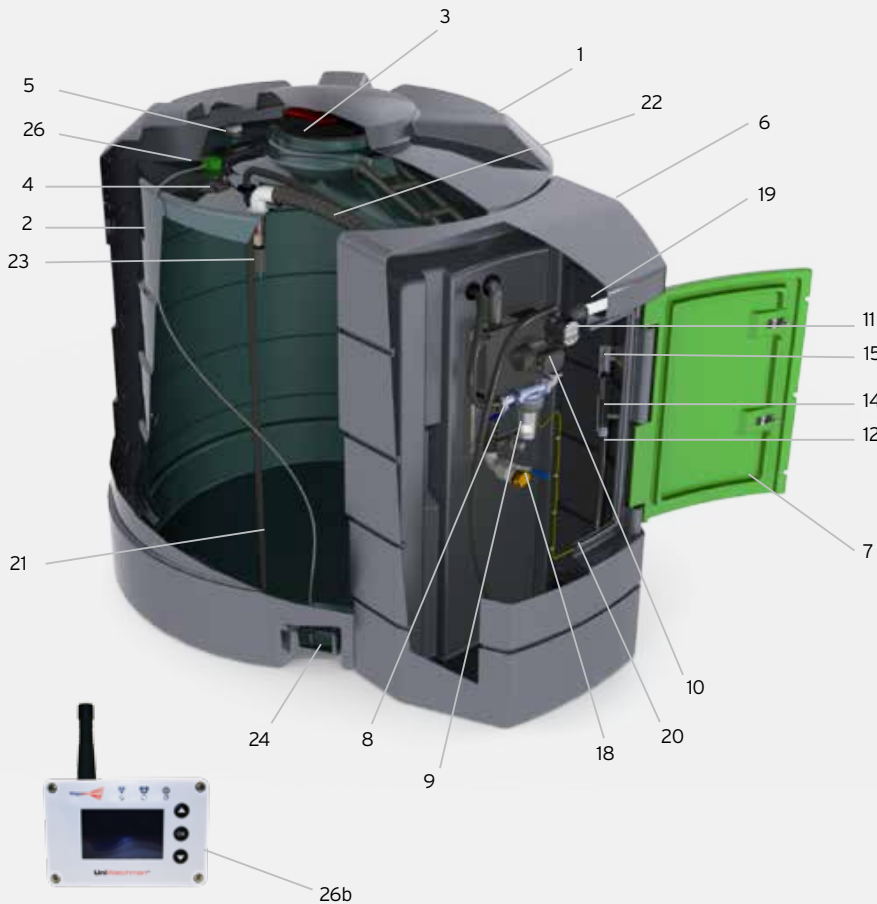


FuelMaster® PRO
Specification No. 6



FuelMaster® STANDARD






Specification No. 2



Product equipment:

1. External tank
2. Internal tank
3. Inspection opening 16"
4. Inspection opening 4"
5. Tank ventilation
6. Distributor casing
7. Lockable doors
8. Shut-off valve
9. Filter
10. Pump
11. Flowmeter
12. Distribution hose
13. Reel
14. Automatic dispenser
15. Filling handle
16. Titan Access (XTrack)
17. Maximum level sensor connection
18. Filling line connection
19. Dispenser lighting
20. Earth cable
21. Suction hose terminated with a strainer
22. Filling line
23. Mechanical protection against overflow
24. Leakage sensor
25. Pressure probe
26. Wireless indicator of the level and leakage
 - a) Watchman Sonic RX transmitter
 - b) Uniwatchman RX receiver

AVAILABLE CAPACITIES

PRODUCT	CAPACITY [L]	LENGTH [mm]	WIDTH [mm]	HEIGHT [mm]
 BFM01200GY*	1200	1900	1240	1790
 BFM02500GY*	2500	2460	1460	1850
 BFM04000GY*	4000	3900	1150	2340
 BFM05000GY* BFM05000GY_PRE*	5000	2850	2230	2340
 BFM09000GY* BFM09000GY_PRE*	9000	3280	2450	2450

* The remaining part of the product code is equipment-dependent.



PRODUCT SPECIFICATIONS

FuelMaster® Standard

FuelMaster® PRO

SPECIFICATION TYPE	SPECIFICATION NO. 1	SPECIFICATION NO. 2	SPECIFICATION NO. 3	SPECIFICATION NO. 4	SPECIFICATION NO. 5	SPECIFICATION NO. 6	SPECIFICATION NO. 7
Gray, double wall tank	•	•	•	•	•	•	•
Distributor door made of stainless steel							•
Small casing of the distributor in the FM5000 tank	•						
Large casing of the distributor in the FM5000 tank		•	•	•	•	•	•
Piusi Panther 72 pump (230 V, max. 79 l/min)	•	•	•	•		•	•
Piusi E120 pump (230 V, max. 110 l/min)					•		
Piusi CUBE with a multiple access system for 120 users*				•			
Piusi K600/3 digital flowmeter (with a two-function display)	•						
Piusi K600B/3 digital flowmeter (with a large, two-function display)		•	•		•		
Piusi K600 Pulsar flowmeter						•	•
6 m x 3/4" distribution hose	•	•	•	•		•	•
6 m x 1" distribution hose					•		
Distribution hose reel			•				•
PIUSI A60 automatic dispenser	•	•	•	•		•	•
PIUSI A80 automatic dispenser					•		
Filling handle	•	•	•	•	•		
Dispenser handle with a pump switch						•	•
Watchman Sonic Plus wireless level and leakage indicator	•						
Watchman Sonic & UniWatchmanRX wireless level and leakage indicator with indication in litres		•	•	•	•		
Leakage and level sensors as part of the Titan Access (XTrack) system						•	•
Diesel fuel filter in a metal housing with a plug and a water separator	•						
Diesel fuel filter in a transparent housing with a plug		•	•	•		•	•
Large diesel fuel filter in a metal housing					•		
Dispenser housing lighting	•	•	•	•	•	•	•
4" inspection opening for inspection and optional filling of the tank	•	•	•	•	•	•	•
2" filling line connection placed in the distributor casing		•	•	•	•	•	•
Mechanical protection against overflow		•	•	•	•	•	•
Maximum level sensor, which can be connected to the vehicle tank.		•	•	•	•	•	•
Tank management and access Titan Access system						•	•
Capacities and tank codes	1200 L - 0030010 2500 L - 0030011 5000 L - 0030014 9000 L - 0030015	1200 L - 0030020 2500 L - 0030021 3500 L - 0030022 4000 L - 0030023 5000 L - 0030024 9000 L - 0030025 5000 L - 0030027	2500 L - 0030031 5000 L - 0030034 9000 L - 0030035 5000 L - 0030037	5000 L - 0030044 9000 L - 0030045 5000 L - 0030046	5000 L - 0030054 9000 L - 0030055 5000 L - 0030057	5000 L - 0030064 9000 L - 0030065 5000 L - 0030067	5000 L - 0030074 9000 L - 0030075 5000 L - 0030077

